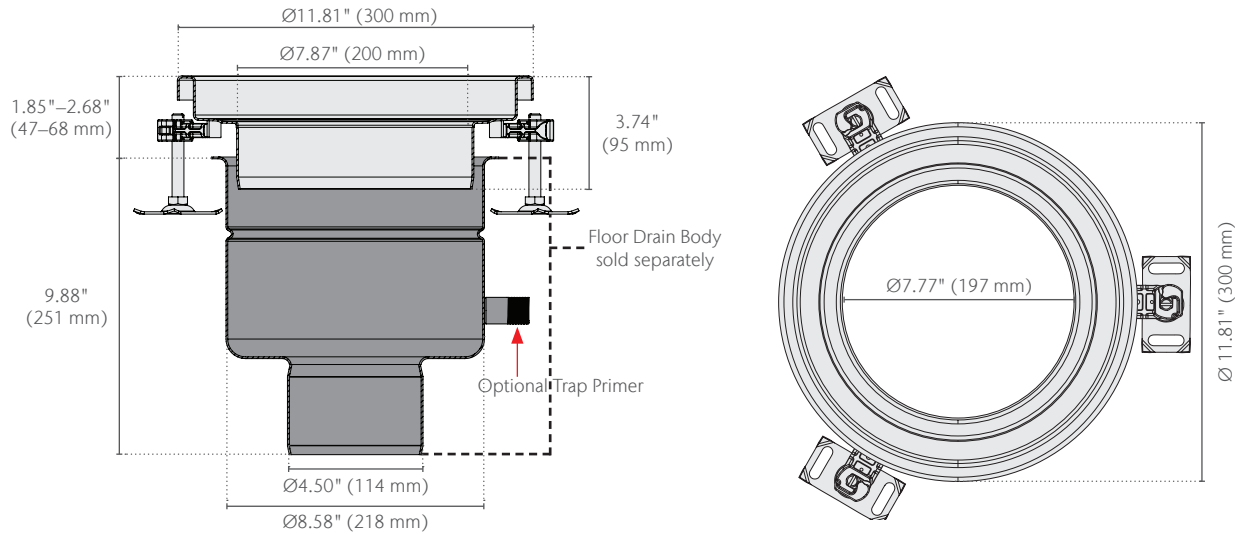


ACO FloorDrain

Round 12 Inch Adjustable Top Spec Sheet



Product Name	Part No.	Grate Material	Weight lbs
12" Round Adjustable Top	446764	AISI 304	5.3
	446765	AISI 316L	5.3

Specification Clause

ACO 12" Round FloorDrain Top with pickled passivated brushed stainless finish, 304 or 316L stainless steel material with PUR epoxy infill, leveling feet and concrete anchors standard. Used with adjustable body, bottom or side outlet, grate, silt basket, with optional clamping flange, trap primer and p-trap available upon request. Certified to NSF/ANSI/3-A Standard 14159-1.

ACO recommends checking local plumbing codes prior to installation.

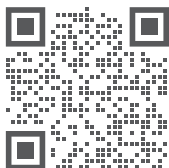


ACO is NSF/ANSI 3A 14159-1-2014 certified for its products from NSF International.

ACO, Inc.

© January 2026 ACO, Inc.

All reasonable care has been taken in compiling the information in this document. All recommendations and suggestions on the use of ACO products are made without guarantee since the conditions of use are beyond the control of the company. It is the customer's responsibility to ensure that each product is fit for its intended purpose and that the actual conditions of use are suitable. ACO, Inc. reserves the right to change products and specifications without notice.



info@acousa.com
www.acousa.com

